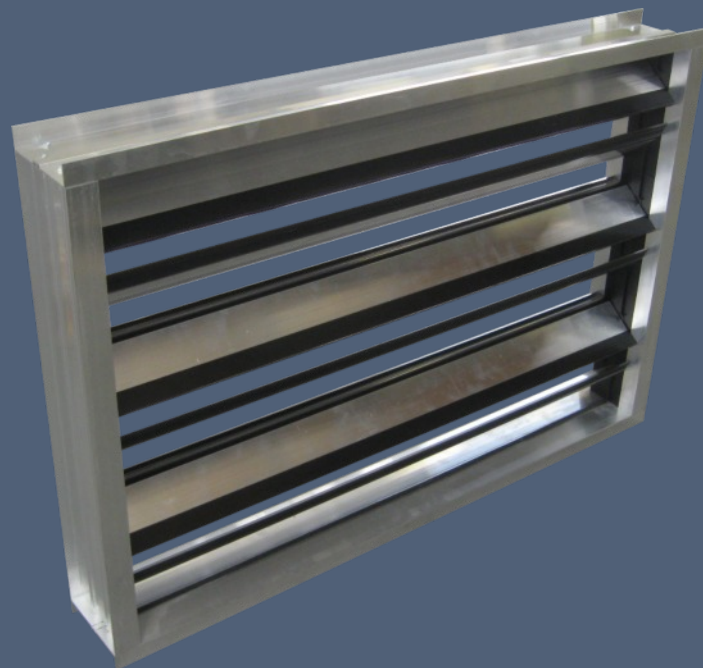


MANDÍK[®]

REGULATION DAMPER

RKALM



These technical conditions define the scope of produced dimensions and versions of "ALUMINIUM REGULATION DAMPER RKALM" ("damper"). These technical conditions apply to the manufacture, design, ordering, assembly, operation and maintenance.

I. CONTENT

II. GENERAL	3
1. Description.....	3
2. Design.....	3
3. Dimensions and weights.....	5
4. Placement and installation.....	11
III. TECHNICAL DATA	11
5. Electrical elements, wiring diagram.....	11
6. Pressure lost.....	14
IV. MATERIAL, FINISHING	15
7. Material.....	15
V. INSTALLATION, OPERATION, INSPECTION AND TESTING	15
8. Incorrect use.....	15
9. Installation.....	15
10. Maintenance.....	16
11. Inspection.....	16
12. Testing.....	16
VI. PACKING, TRANSPORT AND STORAGE	16
13. Logistical data.....	16
VII. ASSEMBLY	16
14. Assembly.....	16
VIII. ORDERING INFORMATION	17
15. Ordering key.....	17

II. GENERAL

1. Description

- 1.1. The dampers consist of a aluminium frame, blades and a control actuator. Depending on used components, could be achieved requested properties. They are used to control the air flow by choking the flow.

Fig. 1 Damper RKALM



1.2. Damper dimensions

- dimensions from 200 x 110 to 2000 x 2010 mm
- internal leakage acc. to EN 1751 class 2, 3
- coefficient of thermal transmission per blade up to 1,3 W/m².K
(blades with thermal divide)

1.3. Working conditions

Maximum air circulation speed: 8 m.s⁻¹

Maximum pressure difference: 1200 Pa

Operation of the dampers does not depend on the direction of air circulation. The dampers can be located in an arbitrary position.

Dampers are suitable for ventilation systems, where air does not content any abrasive, chemical or adhesive particles.

Dampers are designed for macroclimatic areas with mild climate according to EN 60 721-3-3.

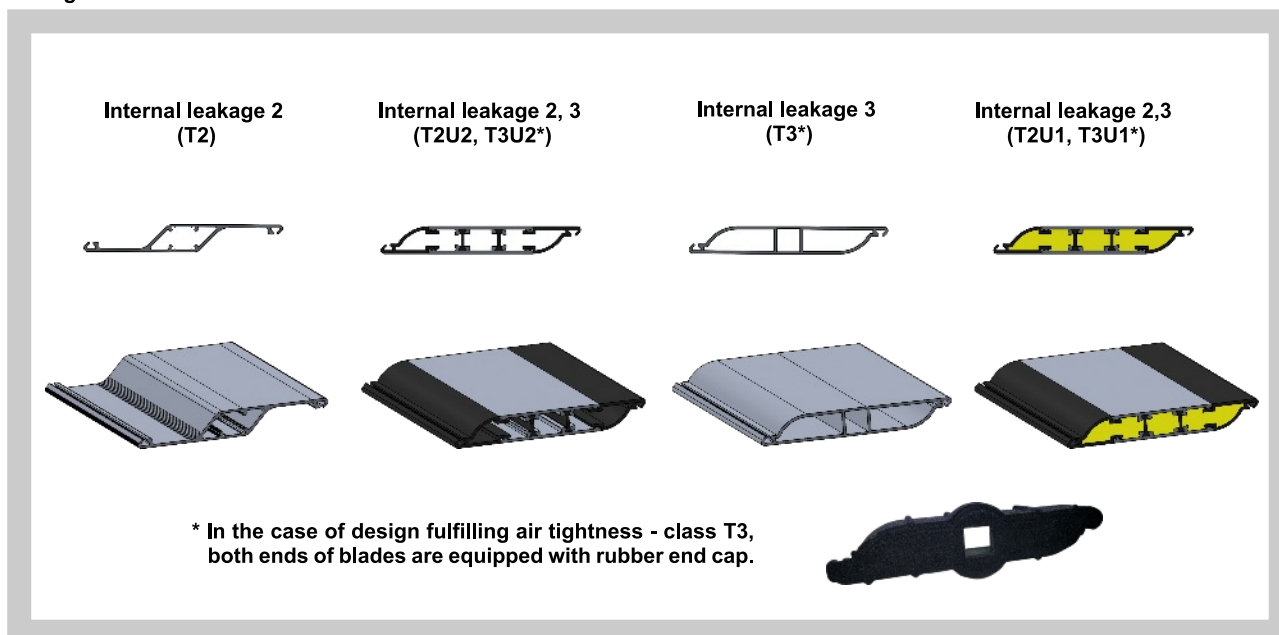
Temperature in the place of installation is permitted to range from - 20°C to + 50°C. If the electrical elements are mounted on the damper, temperature range is narrowed by the electrical elements.

2. Design

2.1. Damper design - internal leakage and coefficient of thermal transmission per blade

- Internal leakage class 2 - T2
- Internal leakage class 2, blades with thermal divide T2U1 (U = 1,3 W/m².K)
- Internal leakage class 2, blades with thermal divide T2U2 (U = 2,99 W/m².K)
- Internal leakage class 3 - T3
- Internal leakage class 3, blades with thermal divide - T3U1 (U = 1,3 W/m².K)
- Internal leakage class 3, blades with thermal divide - T3U2 (U = 2,99 W/m².K)

Fig. 2 Profiles of blades



2.2. Damper design - type of control

The version is designated by two digits.

Tab. 2.1.1. Damper design

Version of damper – type of control	Additional two digits
Manually controlled	.01
To fit actuator drive	.09
Actuator with emergency function 230V	.43*
Actuator controlled 230V, two point regulation - without position signal	.45
Actuator controlled 230V, two point regulation - with position signal	.46
Actuator with emergency function 230V - with position signal	.48*
Actuator with emergency function 24V	.53*
Actuator controlled 24V, two point regulation - without position signal	.55
Actuator controlled 24V, two point regulation - with position signal	.56
Actuator controlled 24V SR with smooth regulation	.57
Actuator with emergency function 24V - with position signal	.58*

* design is available on request, is necessary to specify the position of the damper blade (open or closed) without voltage.

3. Dimensions and weights

3.1. Dimensions, airflow (effective) area, weights

Tab. 3.1.1. Dimensions, airflow (effective) area, weights

A x B	Number of blades	Sef [m²]	Weight [kg]		A x B	Number of blades	Sef [m²]	Weight [kg]	
			T3, T2U, T3U	T2				T3, T2U, T3U	T2
200 x 110	1	0,0191	2	2	280 x 310	3	0,0746	3,5	3,5
x 210	2	0,0362	2,5	2,5	x 410	4	0,0986	4,5	4,5
x 310	3	0,0533	3,5	3	x 510	5	0,1225	5,5	5
x 410	4	0,0704	4	4	x 610	6	0,1465	6	6
x 510	5	0,0875	5	4,5	x 710	7	0,1704	7	6,5
x 610	6	0,1046	5,5	5	x 810	8	0,1943	8	7,5
x 710	7	0,1217	6,5	6	x 910	9	0,2183	9	8,5
x 810	8	0,1388	7	6,5	x 1010	10	0,2422	10	9
x 910	9	0,1559	8	7,5	x 1110	11	0,2662	10,5	10
x 1010	10	0,1730	9	8,5	x 1410	14	0,3380	13	12
x 1110	11	0,1901	9,5	9	x 1510	15	0,3619	14,5	13
x 1410	14	0,2414	12	11	x 1610	16	0,3859	15	14
x 1510	15	0,2585	13	12	x 1810	18	0,4338	16,5	15,5
x 1610	16	0,2756	13,5	13	x 2010	20	0,4817	18,5	17
x 1810	18	0,3098	15	14	300 x 110	1	0,0287	2	2
x 2010	20	0,3440	16,5	15,5	x 210	2	0,0543	3	3
225 x 110	1	0,0215	2	2	x 310	3	0,0800	4	3,5
x 210	2	0,0407	2,5	2,5	x 410	4	0,1056	4,5	4,5
x 310	3	0,0600	3,5	3,5	x 510	5	0,1313	5,5	5
x 410	4	0,0792	4	4	x 610	6	0,1569	6,5	6
x 510	5	0,0984	5	4,5	x 710	7	0,1826	7	6,5
x 610	6	0,1177	5,5	5,5	x 810	8	0,2082	8	7,5
x 710	7	0,1369	6,5	6	x 910	9	0,2339	9,5	8,5
x 810	8	0,1562	7,5	7	x 1010	10	0,2595	10	9,5
x 910	9	0,1754	8,5	8	x 1110	11	0,2852	11	10
x 1010	10	0,1946	9	8,5	x 1410	14	0,3621	13,5	12,5
x 1110	11	0,2139	10	9,5	x 1510	15	0,3878	14,5	13,5
x 1410	14	0,2716	12	11,5	x 1610	16	0,4134	15,5	14
x 1510	15	0,2908	13,5	12,5	x 1810	18	0,4648	17	15,5
x 1610	16	0,3101	14	13	x 2010	20	0,5161	19	17
x 1810	18	0,3486	15,5	14,5	315 x 110	1	0,0301	2	2
x 2010	20	0,3870	17	16	x 210	2	0,0570	3	3
250 x 110	1	0,0239	2	2	x 310	3	0,0840	4	3,5
x 210	2	0,0453	3	2,5	x 410	4	0,1109	5	4,5
x 310	3	0,0666	3,5	3,5	x 510	5	0,1378	5,5	5
x 410	4	0,0880	4,5	4	x 610	6	0,1648	6,5	6
x 510	5	0,1094	5	5	x 710	7	0,1917	7,5	7
x 610	6	0,1308	6	5,5	x 810	8	0,2186	8	7,5
x 810	8	0,1735	7,5	7	x 910	9	0,2456	9,5	8,5
x 910	9	0,1949	8,5	8	x 1010	10	0,2725	10,5	9,5
x 1010	10	0,2163	9,5	9	x 1110	11	0,2994	11	10,5
x 1110	11	0,2377	10,5	9,5	x 1410	14	0,3802	13,5	12,5
x 1410	14	0,3018	12,5	11,5	x 1510	15	0,4072	15	13,5
x 1510	15	0,3232	13,5	13	x 1610	16	0,4341	15,5	14,5
x 1610	16	0,3445	14,5	13,5	x 1810	18	0,4880	17,5	16
x 1810	18	0,3873	16	15	x 2010	20	0,5419	19	17,5
x 2010	20	0,4301	17,5	16,5	355 x 110	1	0,0339	2,5	2,5
280 x 110	1	0,0267	2	2	x 210	2	0,0643	3	3
x 210	2	0,0507	3	3	x 310	3	0,0946	4	4

A x B	Number of blades	Sef [m²]	Weight [kg]		A x B	Number of blades	Sef [m²]	Weight [kg]	
			T3, T2U, T3U	T2				T3, T2U, T3U	T2
355 x 410	4	0,1250	5	4,5	500 x 1010	10	0,4326	12,5	11,5
x 510	5	0,1553	6	5,5	x 1110	11	0,4753	13,5	12
x 610	6	0,1857	7	6,5	x 1410	14	0,6036	16,5	15
x 710	7	0,2160	7,5	7	x 1510	15	0,6463	18	16
x 810	8	0,2464	8,5	8	x 1610	16	0,6891	19	17
x 910	9	0,2768	10	9	x 1810	18	0,7746	21	19
x 1010	10	0,3071	11	10	x 2010	20	0,8601	23,5	20,5
x 1110	11	0,3375	11,5	10,5	550 x 110	1	0,0525	3	3
x 1410	14	0,4285	14,5	13	x 210	2	0,0996	4	4
x 1510	15	0,4589	15,5	14	x 310	3	0,1466	5	4,5
x 1610	16	0,4892	16,5	15	x 410	4	0,1936	6	5,5
x 1810	18	0,5500	18	16,5	x 510	5	0,2407	7,5	6,5
x 2010	20	0,6107	20	18	x 610	6	0,2877	8,5	7,5
400 x 110	1	0,0382	2,5	2,5	x 710	7	0,3347	9,5	8,5
x 210	2	0,0724	3,5	3	x 810	8	0,3817	10,5	9,5
x 310	3	0,1066	4,5	4	x 910	9	0,4288	12	11
x 410	4	0,1408	5,5	5	x 1010	10	0,4758	13	12
x 510	5	0,1750	6	5,5	x 1110	11	0,5228	14,5	12,5
x 610	6	0,2092	7	6,5	x 1410	14	0,6639	17,5	15,5
x 710	7	0,2434	8	7,5	x 1510	15	0,7110	19	17
x 810	8	0,2776	9	8	x 1610	16	0,7580	20	18
x 910	9	0,3118	10,5	9,5	x 1810	18	0,8520	22	19,5
x 1010	10	0,3460	11,5	10,5	x 2010	20	0,9461	24,5	21,5
x 1110	11	0,3802	12,5	11	560 x 110	1	0,0535	3	3
x 1410	14	0,4829	15	13,5	x 210	2	0,1014	4	4
x 1510	15	0,5171	16,5	15	x 310	3	0,1493	5	5
x 1610	16	0,5513	17,5	15,5	x 410	4	0,1971	6,5	5,5
x 1810	18	0,6197	19	17,5	x 510	5	0,2450	7,5	6,5
x 2010	20	0,6881	21	19	x 610	6	0,2929	8,5	7,5
450 x 110	1	0,0430	2,5	2,5	x 710	7	0,3408	9,5	8,5
x 210	2	0,0815	3,5	3,5	x 810	8	0,3887	10,5	9,5
x 310	3	0,1199	4,5	4,5	x 910	9	0,4366	12	11
x 410	4	0,1584	5,5	5	x 1010	10	0,4845	13,5	12
x 510	5	0,1969	6,5	6	x 1110	11	0,5323	14,5	13
x 610	6	0,2354	7,5	7	x 1410	14	0,6760	17,5	15,5
x 710	7	0,2739	8,5	8	x 1510	15	0,7239	19	17
x 810	8	0,3123	9,5	8,5	x 1610	16	0,7718	20	18
x 910	9	0,3508	11	10	x 1810	18	0,8675	22,5	20
x 1010	10	0,3893	12	11	x 2010	20	0,9633	24,5	21,5
x 1110	11	0,4278	13	11,5	600 x 110	1	0,0573	3	3
x 1410	14	0,5432	16	14,5	x 210	2	0,1086	4,5	4
x 1510	15	0,5817	17	15,5	x 310	3	0,1599	5,5	5
x 1610	16	0,6202	18	16,5	x 410	4	0,2112	6,5	6
x 1810	18	0,6971	20	18	x 510	5	0,2625	7,5	7
x 2010	20	0,7741	22	20	x 610	6	0,3138	9	8
500 x 110	1	0,0478	3	2,5	x 710	7	0,3651	10	9
x 210	2	0,0905	4	3,5	x 810	8	0,4164	11	10
x 310	3	0,1333	5	4,5	x 910	9	0,4678	12,5	11,5
x 410	4	0,1760	6	5,5	x 1010	10	0,5191	14	12,5
x 510	5	0,2188	7	6,5	x 1110	11	0,5704	15	13
x 610	6	0,2615	8	7	x 1410	14	0,7243	18,5	16
x 710	7	0,3043	9	8	x 1510	15	0,7756	20	17,5
x 810	8	0,3470	10	9	x 1610	16	0,8269	21	18,5
x 910	9	0,3898	11,5	10,5	x 1810	18	0,9295	23,5	20,5

A x B	Number of blades	Sef [m²]	Weight [kg]		A x B	Number of blades	Sef [m²]	Weight [kg]	
			T3, T2U, T3U	T2				T3, T2U, T3U	T2
600 x 2010	20	1,0321	25,5	22,5	710 x 610	6	0,3714	9,5	8,5
630 x 110	1	0,0602	3	3	x 710	7	0,4321	11	9,5
x 210	2	0,1140	4,5	4	x 810	8	0,4928	12,5	11
x 310	3	0,1679	5,5	5	x 910	9	0,5535	14	12
x 410	4	0,2218	6,5	6	x 1010	10	0,6142	15	13,5
x 510	5	0,2757	8	7	x 1110	11	0,6749	16,5	14,5
x 610	6	0,3295	9	8	x 1410	14	0,8571	20	17,5
x 710	7	0,3834	10,5	9	x 1510	15	0,9178	21,5	19
x 810	8	0,4373	11,5	10	x 1610	16	0,9785	23	20
x 910	9	0,4911	13	11,5	x 1810	18	1,0999	25,5	22
x 1010	10	0,5450	14	12,5	x 2010	20	1,2213	28	24,5
x 1110	11	0,5989	15,5	13,5	750 x 110	1	0,0716	3,5	3,5
x 1410	14	0,7605	19	16,5	x 210	2	0,1358	5	4,5
x 1510	15	0,8144	20,5	18	x 310	3	0,1999	6	5,5
x 1610	16	0,8682	21,5	19	x 410	4	0,2640	7,5	6,5
x 1810	18	0,9760	24	21	x 510	5	0,3282	9	8
x 2010	20	1,0837	26	23	x 610	6	0,3923	10	9
650 x 110	1	0,0621	3,5	3	x 710	7	0,4564	11,5	10
x 210	2	0,1177	4,5	4	x 810	8	0,5206	12,5	11
x 310	3	0,1732	5,5	5	x 910	9	0,5847	14,5	12,5
x 410	4	0,2288	7	6	x 1010	10	0,6488	15,5	13,5
x 510	5	0,2844	8	7	x 1110	11	0,7130	17	15
x 610	6	0,3400	9	8	x 1410	14	0,9054	21	18
x 710	7	0,3956	17,5	15,5	x 1510	15	0,9695	22,5	19,5
x 810	8	0,4512	22	19,5	x 1610	16	1,0336	23,5	20,5
x 910	9	0,5067	24,5	21,5	x 1810	18	1,1619	26,5	23
x 1010	10	0,5623	3	3	x 2010	20	1,2902	29	25
x 1110	11	0,6179	4	4	800 x 110	1	0,0764	3,5	3,5
x 1410	14	0,7846	5	5	x 210	2	0,1448	5	4,5
x 1510	15	0,8402	5,5	5	x 310	3	0,2132	6,5	6
x 1610	16	0,8958	5	5	x 410	4	0,2816	8	7
x 1810	18	1,0070	6	5,5	x 510	5	0,3500	9	8
x 2010	20	1,1181	6,5	6	x 610	6	0,4184	10,5	9
700 x 110	1	0,0669	6,5	5,5	x 710	7	0,4869	12	10,5
x 210	2	0,1267	7,5	6,5	x 810	8	0,5553	13	11,5
x 310	3	0,1866	8,5	7,5	x 910	9	0,6237	15	13
x 410	4	0,2464	9,5	8,5	x 1010	10	0,6921	16,5	14
x 510	5	0,3063	10,5	9,5	x 1110	11	0,7605	17,5	15,5
x 610	6	0,3661	13,5	12	x 1410	14	0,9657	21,5	19
x 710	7	0,4260	17,5	15,5	x 1510	15	1,0341	23,5	20
x 810	8	0,4859	22,5	20	x 1610	16	1,1025	24,5	21,5
x 910	9	0,5457	24,5	21,5	x 1810	18	1,2393	27,5	23,5
x 1010	10	0,6056	3	3	x 2010	20	1,3762	30	26
x 1110	11	0,6654	4,5	4	900 x 110	1	0,0860	4	4
x 1410	14	0,8450	5,5	5	x 210	2	0,1629	5,5	5
x 1510	15	0,9049	5,5	5,5	x 310	3	0,2399	7	6,5
x 1610	16	0,9647	5,5	5	x 410	4	0,3168	8,5	7,5
x 1810	18	1,0844	6	5,5	x 510	5	0,3938	10	8,5
x 2010	20	1,2041	6,5	6	x 610	6	0,4708	11,5	10
710 x 110	1	0,0678	6,5	6	x 710	7	0,5477	13	11
x 210	2	0,1285	7,5	7	x 810	8	0,6247	14	12,5
x 310	3	0,1892	9	8	x 910	9	0,7016	16	14
x 410	4	0,2499	10	9	x 1010	10	0,7786	17,5	15
x 510	5	0,3107	11	10	x 1110	11	0,8555	19	16,5

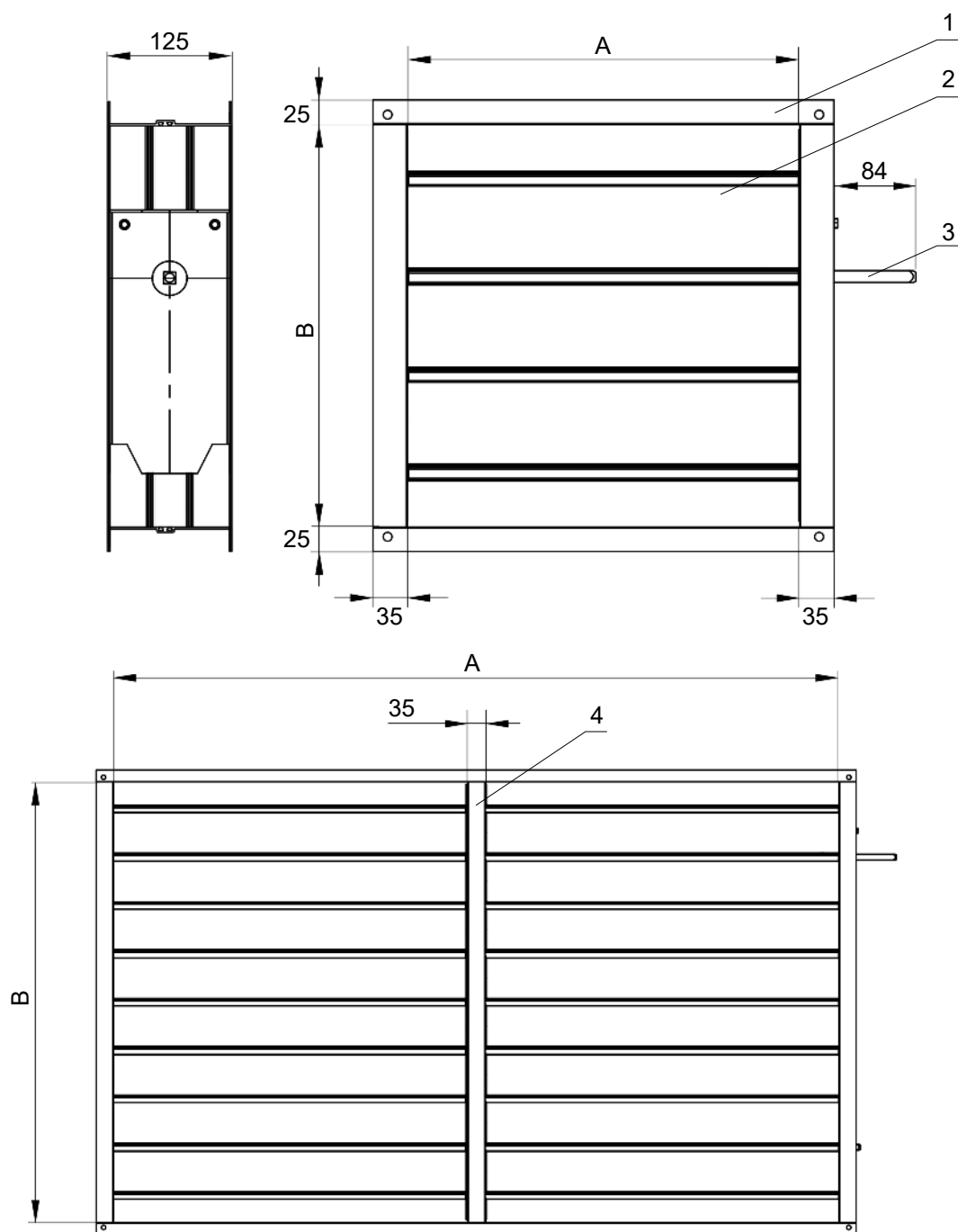
A x B	Number of blades	Sef [m²]	Weight [kg]		A x B	Number of blades	Sef [m²]	Weight [kg]	
			T3, T2U, T3U	T2				T3, T2U, T3U	T2
900 x 1410	14	1,0864	23,5	20	1400 x 510	5	0,6126	13,5	11,5
x 1510	15	1,1634	25	21,5	x 610	6	0,7323	15,5	13
x 1610	16	1,2403	26,5	23	x 710	7	0,8520	17,5	15
x 1810	18	1,3943	29,5	25	x 810	8	0,9717	19,5	16,5
x 2010	20	1,5482	32,5	27,5	x 910	9	1,0914	21,5	18,5
1000 x 110	1	0,0955	4,5	4	x 1010	10	1,2111	23,5	20
x 210	2	0,1810	6	5,5	x 1110	11	1,3309	25,5	21,5
x 310	3	0,2665	7,5	6,5	x 1410	14	1,6900	31,5	26,5
x 410	4	0,3520	9	8	x 1510	15	1,8097	34	28,5
x 510	5	0,4376	10,5	9,5	x 1610	16	1,9294	35,5	30
x 610	6	0,5231	12	10,5	x 1810	18	2,1689	39,5	33
x 710	7	0,6086	13,5	12	x 2010	20	2,4083	43,5	36,5
x 810	8	0,6941	15	13	1500 x 610	12	0,7846	18,5	16,5
x 910	9	0,7796	17	15	x 710	14	0,9129	21	18,5
x 1010	10	0,8651	18,5	16	x 810	16	1,0411	23,5	20,5
x 1110	11	0,9506	20,5	17,5	x 910	18	1,1694	26,5	23
x 1410	14	1,2071	25	21,5	x 1010	20	1,2977	29	25
x 1510	15	1,2927	27	23	x 1110	22	1,4259	31,5	27
x 1610	16	1,3782	28,5	24	x 1410	28	1,8107	38,5	33,5
x 1810	18	1,5492	31,5	27	x 1510	30	1,9390	41,5	36
x 2010	20	1,7202	34,5	29,5	x 1610	32	2,0672	44	38
1100 x 110	1	0,1051	4,5	4,5	x 1810	36	2,3238	49	42
x 210	2	0,1991	6,5	6	x 2010	40	2,5803	53,5	46
x 310	3	0,2932	8	7	1600 x 610	12	0,8369	19,5	17
x 410	4	0,3872	9,5	8,5	x 710	14	0,9737	22	19
x 510	5	0,4813	11,5	10	x 810	16	1,1105	24,5	21,5
x 610	6	0,5754	13	11	x 910	18	1,2473	27,5	24
x 710	7	0,6694	14,5	12,5	x 1010	20	1,3842	30	26
x 810	8	0,7635	16,5	14	x 1110	22	1,5210	32,5	28,5
x 910	9	0,8575	18,5	15,5	x 1410	28	1,9314	40,5	34,5
x 1010	10	0,9516	20	17	x 1510	30	2,0682	43,5	37
x 1110	11	1,0457	21,5	18,5	x 1610	32	2,2051	46	39,5
x 1410	14	1,3279	26,5	22,5	x 1810	36	2,4787	51	43,5
x 1510	15	1,4219	28,5	24	x 2010	40	2,7523	56	48
x 1610	16	1,5160	30	25,5	1800 x 610	12	0,9415	21	18,5
x 1810	18	1,7041	33,5	28,5	x 710	14	1,0954	24	20,5
x 2010	20	1,8922	37	31	x 810	16	1,2493	26,5	23
1250 x 110	1	0,1194	5	5	x 910	18	1,4033	30	26
x 210	2	0,2263	7	6,5	x 1010	20	1,5572	32,5	28
x 310	3	0,3332	9	8	x 1110	22	1,7111	35,5	30,5
x 410	4	0,4401	10,5	9,5	x 1410	28	2,1729	43,5	37
x 510	5	0,5469	12,5	11	x 1510	30	2,3268	47	40
x 610	6	0,6538	14	12	x 1610	32	2,4807	49,5	42
x 710	7	0,7607	16	13,5	x 1810	36	2,7885	55	47
x 810	8	0,8676	18	15	x 2010	40	3,0964	60,5	51,5
x 910	9	0,9745	20	17	2000 x 610	12	1,0461	23	19,5
x 1010	10	1,0814	22	18,5	x 710	14	1,2171	25,5	22
x 1110	11	1,1883	23,5	20	x 810	16	1,3882	28,5	24,5
x 1410	14	1,5089	29	24,5	x 910	18	1,5592	32	27,5
x 1510	15	1,6158	31	26,5	x 1010	20	1,7302	35	30
x 1610	16	1,7227	33	28	x 1110	22	1,9012	38	32,5
x 1810	18	1,9365	36,5	30,5	x 1410	28	2,4143	47	39,5
x 2010	20	2,1503	40	33,5	x 1510	30	2,5853	50,5	42,5
1400 x 110	1	0,1337	5,5	5,5	x 1610	32	2,7563	53,5	45
x 210	2	0,2534	7,5	7	x 1810	36	3,0984	59	50
x 310	3	0,3731	9,5	8,5	x 2010	40	3,4404	65	55
x 410	4	0,4929	11,5	10					

Atypical dimensions are supplied only for the dampers with the blades in design T2.

S_{ef} - effective area for fully opened damper.

The weights listed in the table are valid for the basic version (manually controlled). The weight of the servo actuator must be added to all other versions - see table 5.1.1. and 5.1.2.

Fig. 3 Damper dimensions



Position:

- 1. Damper body
- 2. Damper blade

- 3. Control rod
- 4. Divider (only for dampers where $A > 1400$)

Fig. 4 Damper dimensions

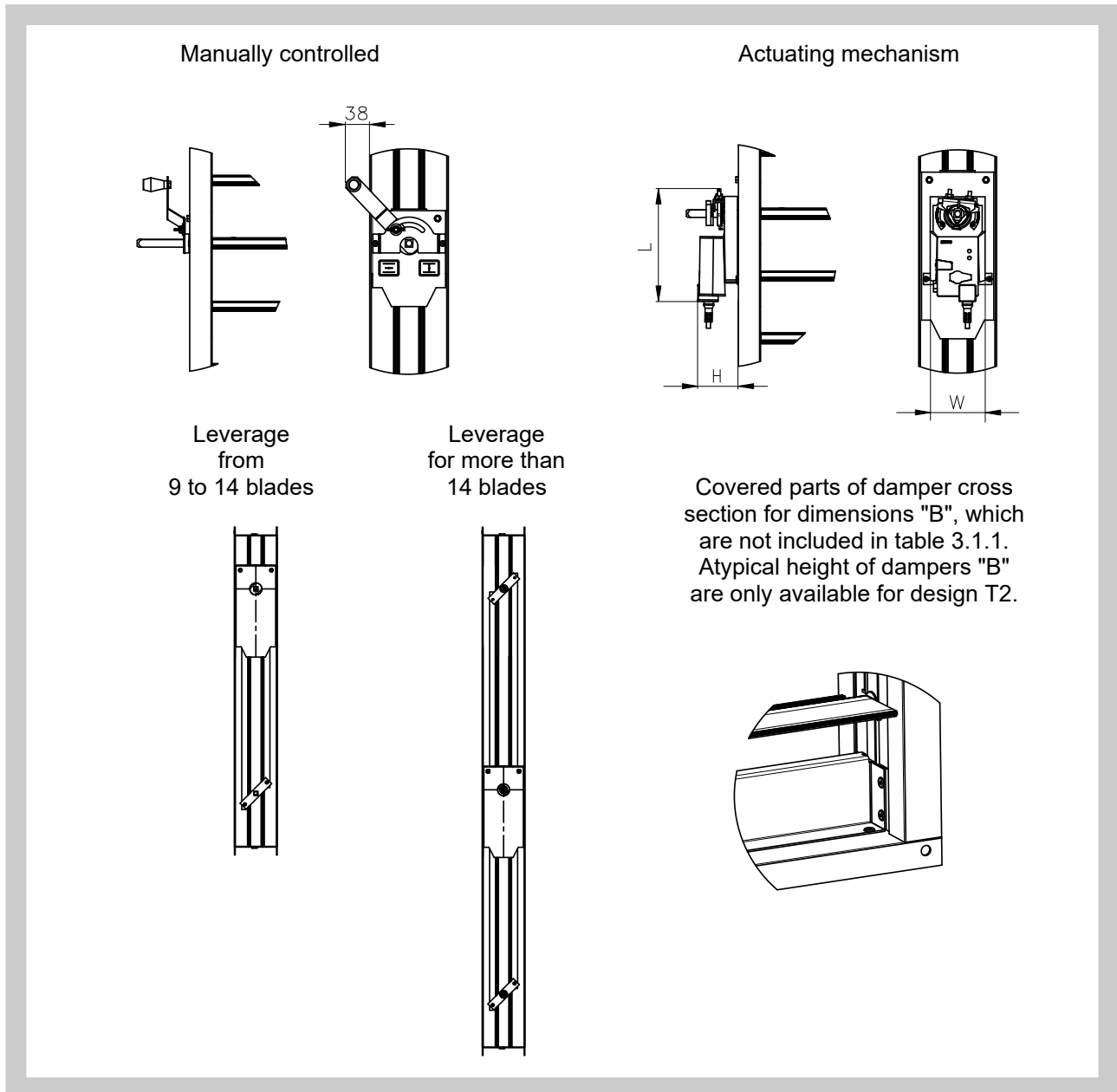
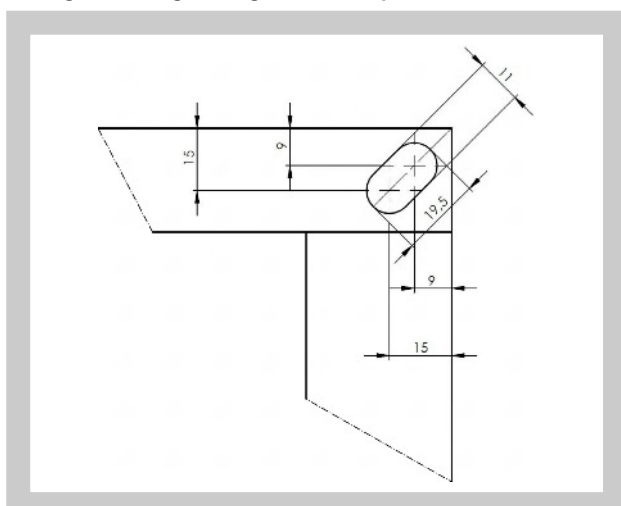


Fig. 5 Flange of regulation damper



3.2. Dampers are provided square-shaped pin of cross-section 12x12 mm,

4. Placement and installation

- 4.1. The dampers are designed to be installed into the air duct. The blades can be used in any orientation.
- 4.2. The actuator requires a 250 mm clearance (minimum).

III. TECHNICAL DATA

5. Electrical elements, wiring diagram

- 5.1. Types and weights of servo actuators for control of dampers

Tab. 5.1.1. Type of actuating mechanism for individually dampers T2 a T2U

Dampers	Type of servo actuator	Position signal	Torque	Weight of actuator [kg]	Dimensions L x H x W
Up to 1 m ²	Belimo LM 230A-S (.46)	YES	5 Nm	0,6	116 x 64 x 88
	Belimo LM 230A (.45)	NO		0,5	
	Belimo LM 24A-S (.56)	YES		0,6	
	Belimo LM 24A (.55)	NO		0,5	
	Belimo LM 24A-SR (.57)	YES		0,5	
Up to 2 m ²	Belimo NM 230A-S (.46)	YES	10 Nm	0,85	124 x 62 x 80
	Belimo NM 230A (.45)	NO		0,8	
	Belimo NM 24A-S (.56)	YES		0,85	
	Belimo NM 24A (.55)	NO		0,75	
	Belimo NM 24A-SR (.57)	YES		0,8	
Up to 4 m ²	Belimo SM 230A-S (.46)	YES	20 Nm	1,1	139 x 64 x 88
	Belimo SM 230A (.45)	NO		1,05	
	Belimo SM 24A-S (.56)	YES		1,05	
	Belimo SM 24A (.55)	NO		1	
	Belimo SM 24A-SR (.57)	YES		1,05	

Tab. 5.1.2. Type of actuating mechanism for individually dampers T3 a T3U

Dampers	Type of servo actuator	Position signal	Torque	Weight of actuator [kg]	Dimensions L x H x W
Up to 1 m ²	Belimo NM 230A-S (.46)	YES	10 Nm	0,85	124 x 62 x 80
	Belimo NM 230A (.45)	NO		0,80	
	Belimo NM 24A-S (.56)	YES		0,85	
	Belimo NM 24A (.55)	NO		0,75	
	Belimo NM 24A-SR (.57)	YES		0,80	
Up to 2 m ²	Belimo SM 230A-S (.46)	YES	20 Nm	1,10	139 x 64 x 88
	Belimo SM 230A (.45)	NO		1,05	
	Belimo SM 24A-S (.56)	YES		1,05	
	Belimo SM 24A (.55)	NO		1,00	
	Belimo SM 24A-SR (.57)	YES		1,05	
Up to 4 m ²	Belimo GM 230A-S (.46)	YES	40 Nm	1,80	179 x 70 x 116
	Belimo GM 230A (.45)	NO		1,70	
	Belimo GM 24A-S (.56)	YES		1,80	
	Belimo GM 24A (.55)	NO		1,70	
	Belimo GM 24A-SR (.57)	YES		1,70	

5.2. Supply voltage and power input.

Tab. 5.2.1. Supply voltage and power input

Type of actuator	Supply voltage	Power input		
		In operation	Resting position	Dimensioning
LM 230A, LM 230A-S	AC 100 ... 240 V, 50/60 Hz	1,5 W	0,4 W	4 VA
LM 24A, LM 24A-S	AC 24 V, 50/60 Hz; DC 24 V	1,0 W	0,2 W	2 VA
LM 24A-SR	AC 24 V, 50/60 Hz; DC 24 V	1,0 W	0,4 W	2 VA
NM 230A, NM 230A-S	AC 100 ... 240 V, 50/60 Hz	2,5 W	0,6 W	6 VA
NM 24A, NM 24A-S	AC 24 V, 50/60 Hz; DC 24 V	1,5 W	0,2 W	3,5 VA
NM 24A-SR	AC 24 V, 50/60 Hz; DC 24 V	2,0 W	0,4 W	4 VA
SM 230A, SM 230A-S	AC 100 ... 240 V, 50/60 Hz	2,5 W	0,6 W	6 VA
SM 24A, SM 24A-S	AC 24 V, 50/60 Hz; DC 24 V	2,0 W	0,2 W	4 VA
SM 24A-SR	AC 24 V, 50/60 Hz; DC 24 V	2,0 W	0,4 W	4 VA
GM 230A, GM 230A-S	AC 100 ... 240 V, 50/60 Hz	4,5 W	2,0 W	7 VA
GM 24A, GM 24A-S	AC 24 V, 50/60 Hz; DC 24 V	4,5 W	2,0 W	7 VA
GM 24A-SR	AC 24 V, 50/60 Hz; DC 24 V	4,5 W	2,0 W	7 VA

5.3. Wiring diagram of servo actuators Belimo

Fig. 6 Wiring diagram of servo actuators Belimo LM 230A, NM 230A, SM 230A a GM 230A

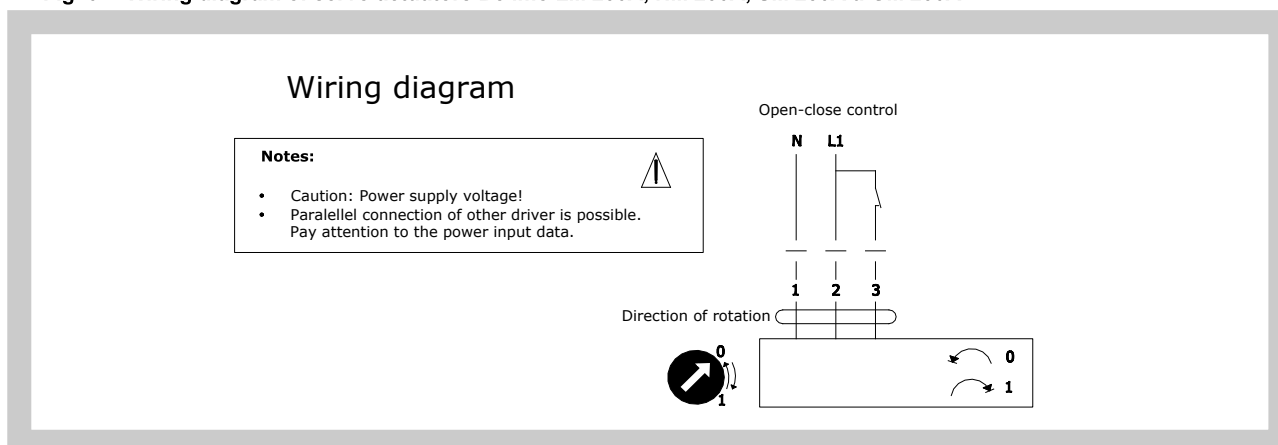


Fig. 7 Wiring diagram of servo actuators Belimo LM 230A-S, NM 230A-S, SM 230A-S a GM 230A-S

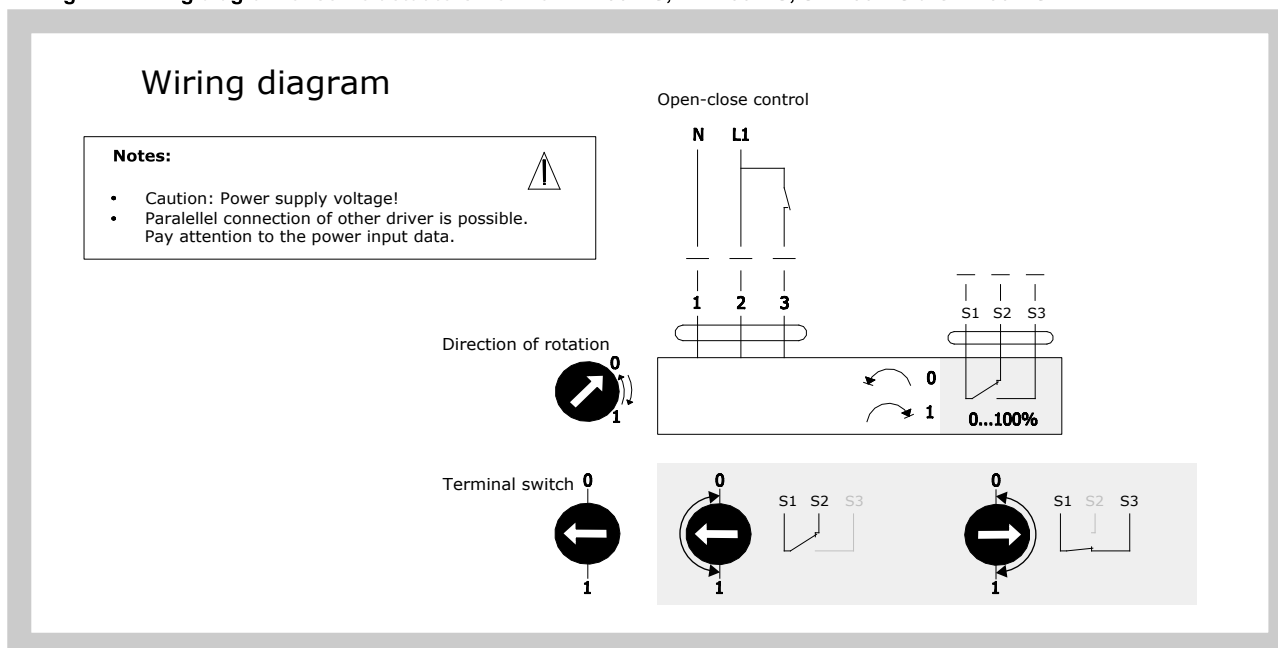


Fig. 8 Wiring diagram of servo actuators Belimo LM 24A, NM 24A, SM 24A a GM 24A

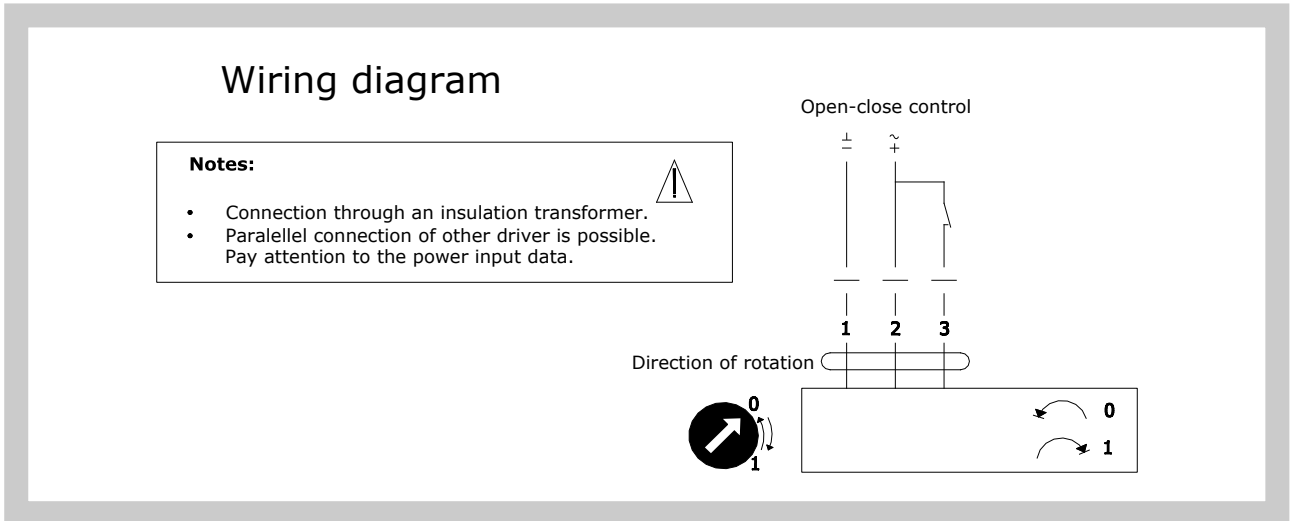


Fig. 9 Wiring diagram of servo actuators Belimo LM 24A-S, NM 24A-S, SM 24A-S a GM 24A-S

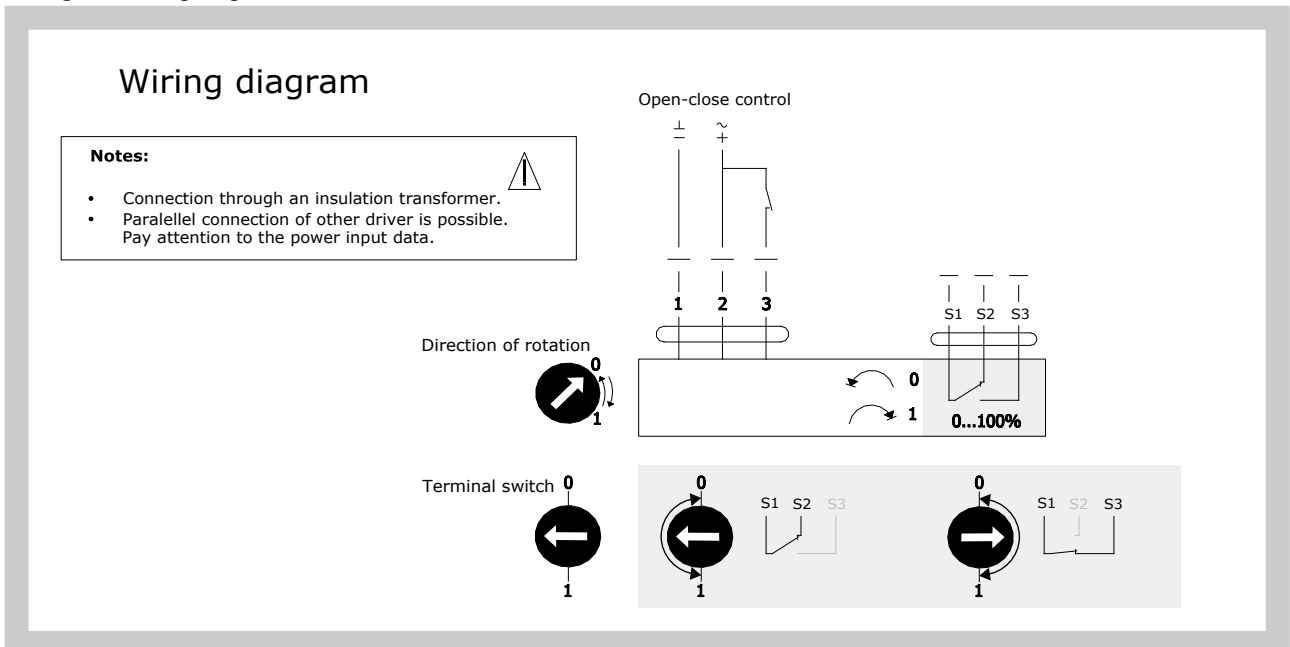
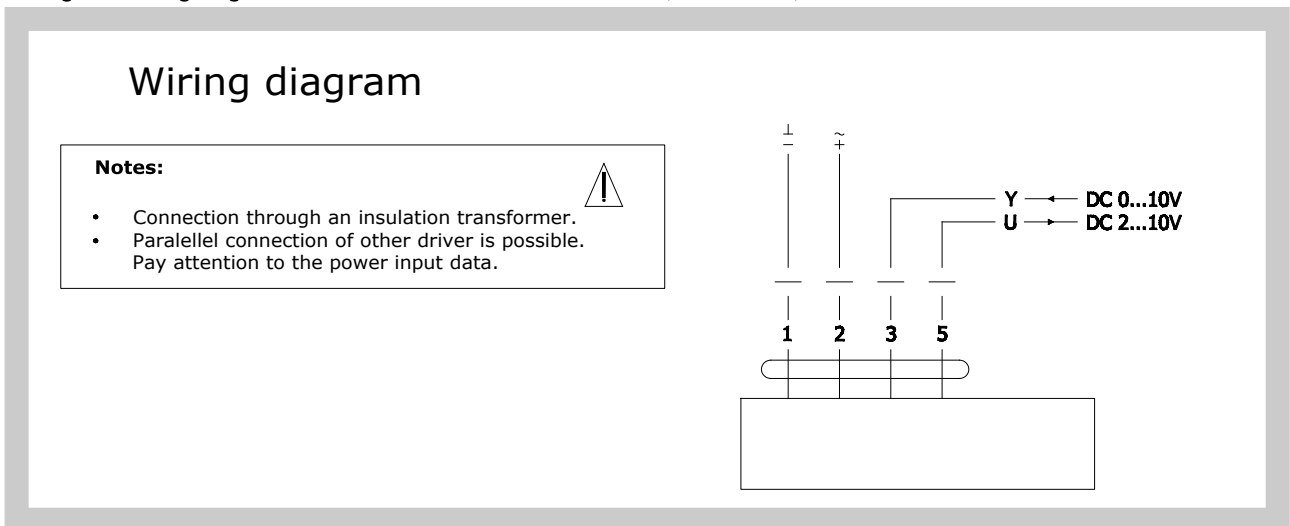


Fig. 10 Wiring diagram of servo actuators Belimo LM 24A-SR, NM 24A-SR, SM 24A-SR a GM 24A-SR



6. Pressure lost

6.1. Pressure lost depending on the angle of damper blade

Diagram 6.1.1. Regulation damper inserted into the duct T2

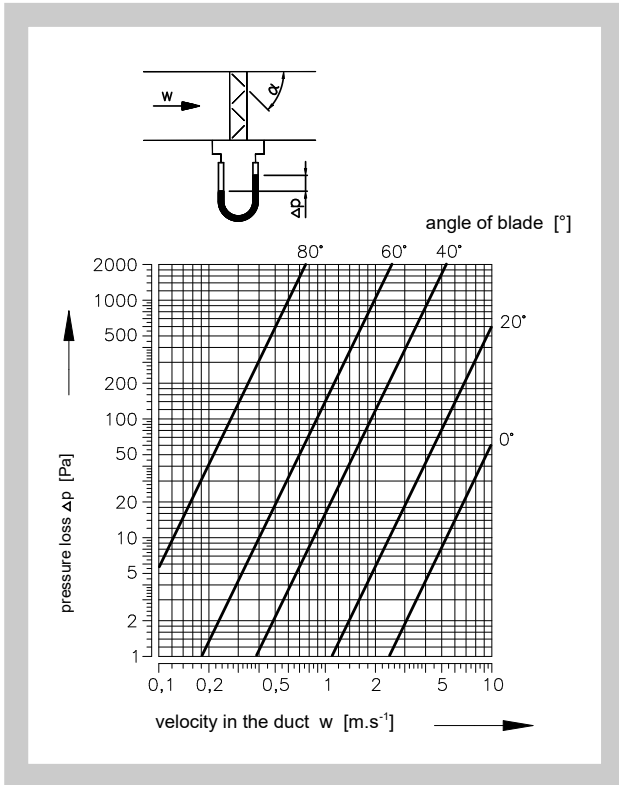


Diagram 6.1.2. Regulation damper attached to the end of the duct T2

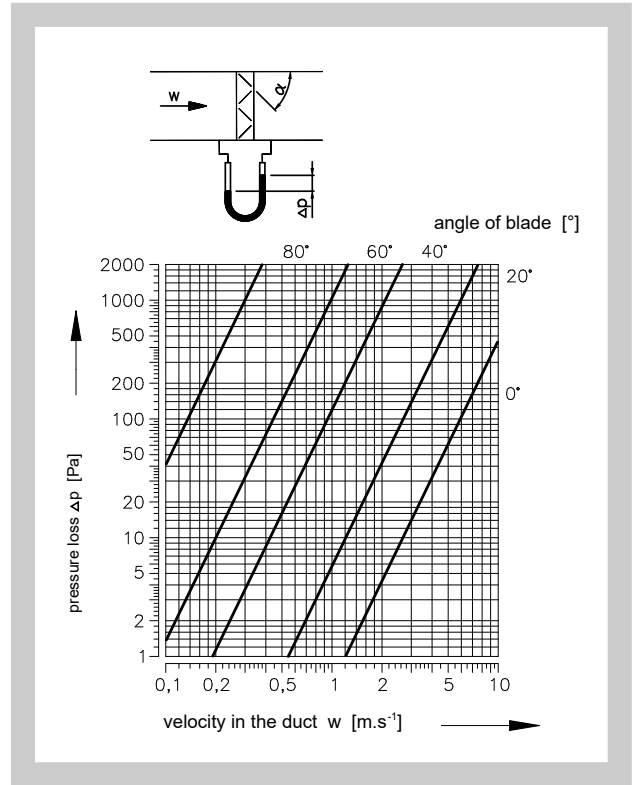


Diagram 6.1.3. Regulation damper inserted into the duct T2U, T3, T3U

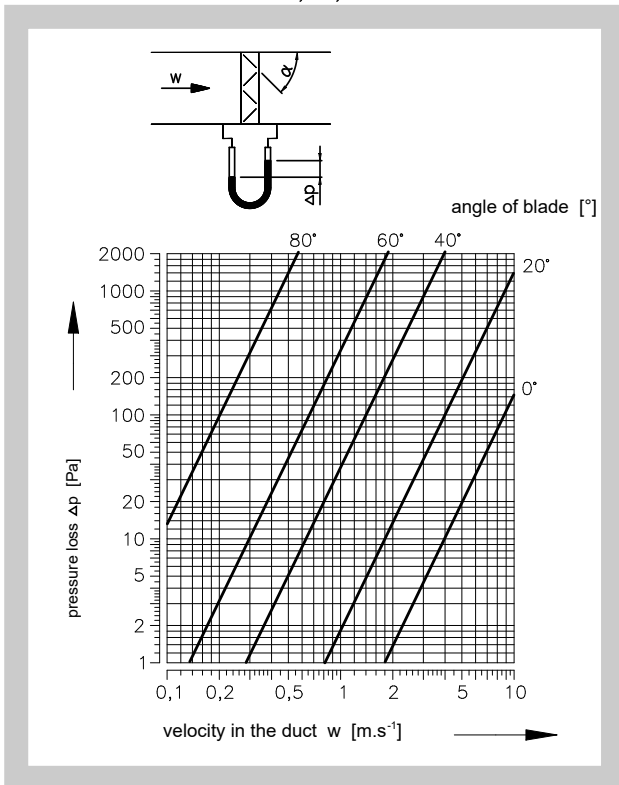
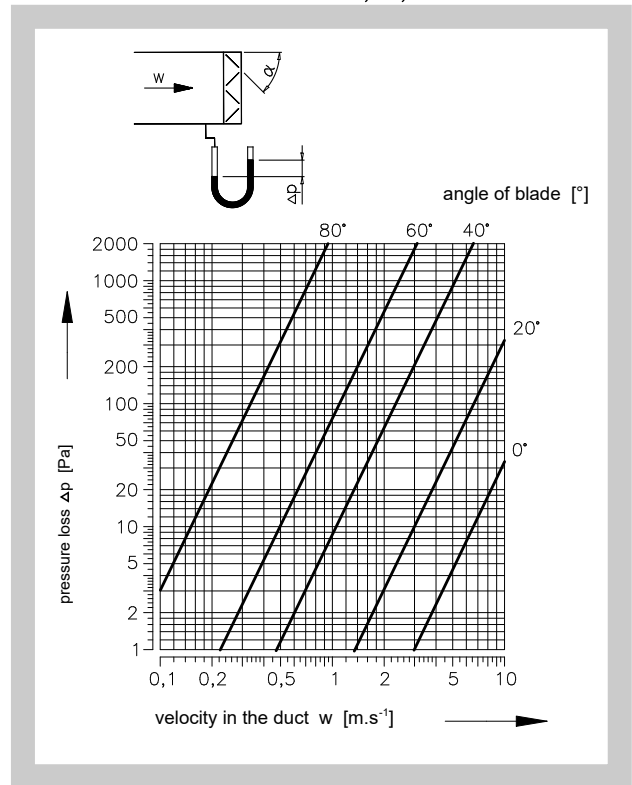


Diagram 6.1.4. Regulation damper attached to the end of the duct T2U, T3, T3U



\dot{V} [m³.h⁻¹] volumetric airflow
 w [m.s⁻¹] velocity of air flow

Δp [Pa] pressure lost at $\rho = 1,2 \text{ kg.m}^{-3}$
 α [°] angle of blade

IV. MATERIAL, FINISHING

7. Material

- 7.1. The frame and blades are made of aluminium EN AW 6060 T6, the pins are made of plastic, the pins for actuating are made of galvanized steel. Gears are made of polypropylene.

Gasket for dampers with internal leakage class 2 is made of TPE-V + PP.
Gasket for dampers with internal leakage class 3 is made of TPE-V.

- 7.2. The damper has no other surface treatment.

V. INSTALLATION, OPERATION, INSPECTION AND TESTING

8. Incorrect use

- 8.1. RKALM damper is not intended to be used in:
- outdoors, without appropriate protection against effects of weather conditions
 - in rooms with high humidity, freezy conditions or with impact of aggressive or dusty air
 - in area with risk of explosive atmosphere

9. Installation

- 9.1. Installation of RKALM must be provided by professional mechanic on the wall or on the air ductwork.

Electrical connections (wiring) have to be installed according to wiring diagram, by professional electrician.

When the installation is ready, then anyone **must be prevented against inserting of hands or fingers in between opened blades**, by for example protection grills on both sites.

Condensing water or freeze in between blades must be pre-empted, while it may damage the functionality of the damper.

The RKALM with electric actuator can be operated also manually when needed, by pushing the black button and turning the orange ring or using the inner screwdriver inserted into the white plastic wheel. This will allow to turn manually the actuator and consequently the blades (Fig. 11).

Fig. 11



10. Maintenance

- 10.1.** RKALM damper is maintenance free.
Actuating mechanism and the operational systems should be only checked in open and close positions once per year.
The aim of this regular check is to ensure, that there is no grime or other extraneous elements blocking repositioning of blades (in both ON/OFF extreme positions).
The damper should be subject of regular cleaning process.

11. Inspection

- 11.1.** Dimensions are checked using regular rulers according to the standard applicable to dimensions without defined tolerances used in air-handling and ventilation sectors.
- 11.2.** Intraoperational inspections of the parts and main dimensions according to the drawing documentation are performed.

12. Testing

- 12.1.** After assembly, the operation of the blade and of electrical actuators is performed.

VI. PACKING, TRANSPORT, STORAGE

13. Logistical data

- 13.1.** The delivery includes a complete damper including the control mechanism.
- 13.2.** The dampers are transported as bulk cargo, using suitable covered means of transport. When agreed upon with the manufacturer, the dampers can be loaded onto pallets or wooden crates. Dampers must be protected from mechanical damage during transport and storage. If packing is used, it is non-returnable and its price is not included in the price of the damper.
- 13.3.** If not otherwise agreed, the handover is considered when the goods is forwarded to the carrier.
- 13.4.** The dampers must be stored in the indoor environment without any aggressive vapours, gases or dust. Indoor temperature must be in the range from -5 °C to +40 °C and maximum relative humidity 80%. Dampers must be protected against mechanic damages when transported and manipulated.

VII. ASSEMBLY

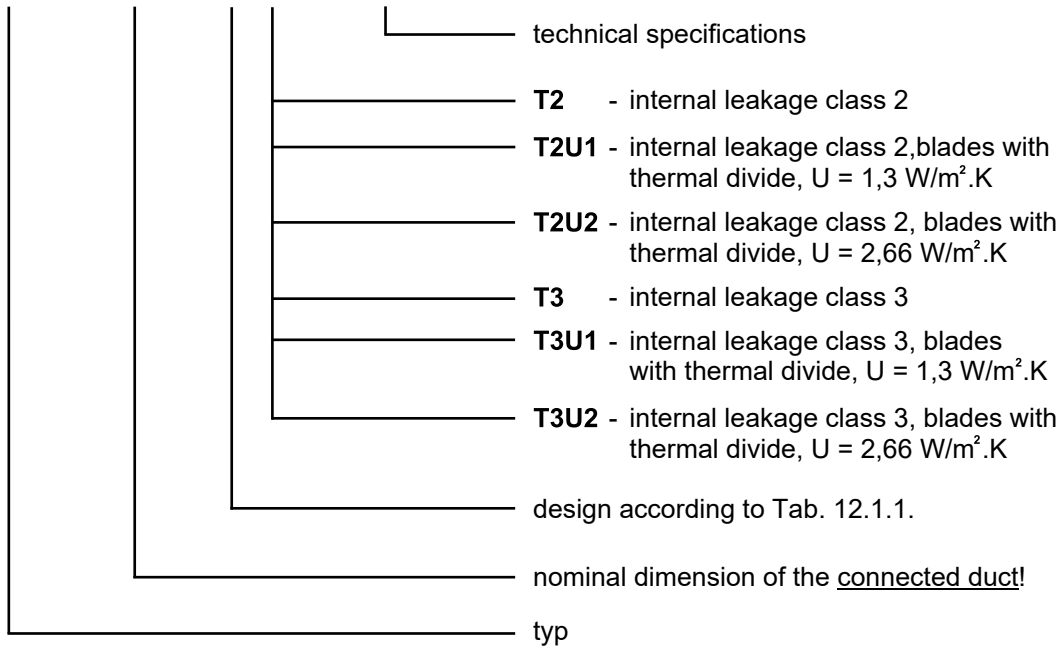
14. Assembly

- 14.1.** The assembly consists of installation of the damper into the air duct, with connection of optional servo actuator to the mains.

VIII. ORDERING INFORMATION

12. Ordering key

RKALM 500x410 - .45/T2 TPM 119/16



Tab. 12.1.1. Damper design

Version of damper – type of control	Additional two digits
Manually controlled	.01
To fit actuator drive	.09
Actuator with emergency function 230V	.43*
Actuator controlled 230V, two point regulation - without position signal	.45
Actuator controlled 230V, two point regulation - with position signal	.46
Actuator with emergency function 230V - with position signal	.48*
Actuator with emergency function 24V	.53*
Actuator controlled 24V, two point regulation - without position signal	.55
Actuator controlled 24V, two point regulation - with position signal	.56
Actuator controlled 24V SR with smooth regulation	.57
Actuator with emergency function 24V - with position signal	.58*

* design is available on request, is necessary to specify the position of the damper blade (open or closed) without voltage.

MANDÍK, a.s.
Dobříšská 550
26724 Hostomice
Česká republika
Tel.: +420 311 706 706
E-Mail: mandik@mandik.cz
www.mandik.com

The producer reserves the right for innovations of the product. For actual product information see
www.mandik.com